

HI-BAR® INSERT RETAINED SAFETY SCREEN

The Lee Company now offers a complete line of HI-BAR® Insert Retained Safety Screens. These new screens combine a robust, high pressure locking end with a one-piece, HI-BAR screen element that can withstand pressure differentials up to 7500 psid without rupture. Using the proven Lee Insert Principal*, these screens allow for a simple installation directly into a fluid passageway. This installation technique locks the screen into the surrounding housing and provides a reliable, leak-proof seal.

The HI-BAR Insert Retained Safety Screens are available in 4 different body diameters, 0.187", 0.250", 0.375", and 0.500". In addition, standard screen hole sizes include 50, 75, 100, 150, 200, 250, 380, and 500 microns.

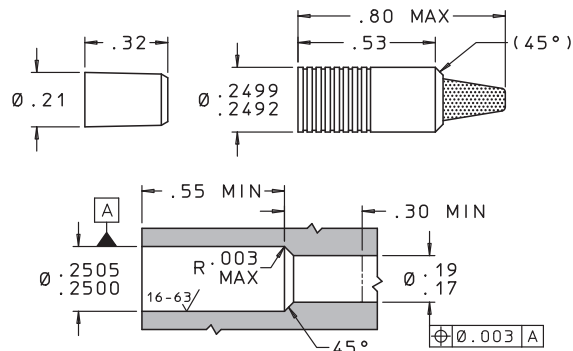
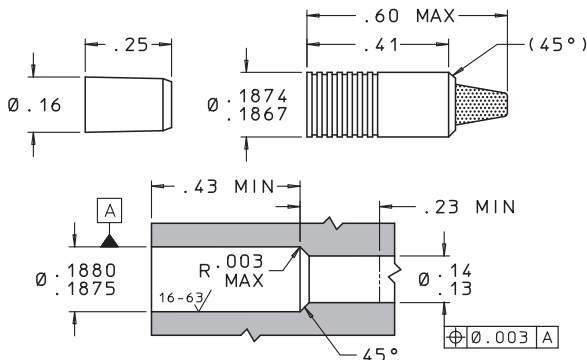
- Simple installation into fluid passageway with field proven locking end
- Stainless steel construction
- Strong, one-piece screen element
- Burst/collapse pressure: 7500 psid
- Hole sizes from 50 micron to 500 micron



All Lee Safety Screens are precision cleaned and packaged before shipment. In addition to offering a wide range of standard screens, special designs are available upon request.

Contact your local Lee Sales Engineer for additional information or technical assistance.

*Refer to our website, or the Lee Technical Hydraulic Handbook for additional details.



187 HI-BAR INSERT RETAINED SAFETY SCREEN

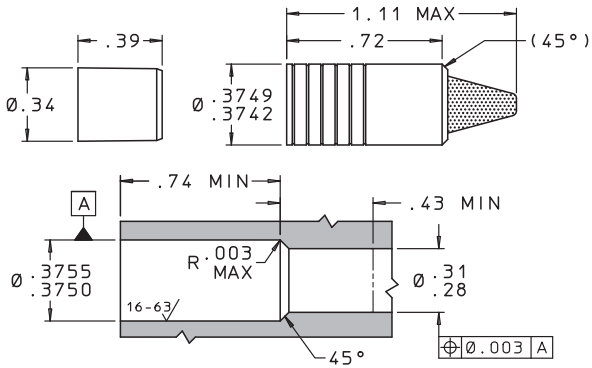
LEE PART NUMBER	HOLE SIZE (in.)	HOLE SIZE (µm)	OPEN AREA (in. ²)	TOTAL AREA (in. ²)	NUMBER OF HOLES	BURST / COLLAPSE PRESSURE (psid min.)	Rob** NUMBER	LOHM* RATE (nom.)
FSCA1872020A	0.002	50	0.003	0.03	850	7500	0.1	250
FSCA1872030A	0.003	75	0.004	0.03	550	7500	0.2	250
FSCA1872040A	0.004	100	0.006	0.03	450	7500	0.5	200
FSCA1872060A	0.006	150	0.006	0.03	200	7500	1.0	170
FSCA1872080A	0.008	200	0.006	0.03	100	7500	2.0	170
FSCA1872100A	0.010	250	0.006	0.03	60	7500	3.0	170
FSCA1872150A	0.015	380	0.007	0.03	30	7500	10	140
FSCA1872200A	0.020	500	0.007	0.03	15	7500	15	140

250 HI-BAR INSERT RETAINED SAFETY SCREEN

LEE PART NUMBER	HOLE SIZE (in.)	HOLE SIZE (µm)	OPEN AREA (in. ²)	TOTAL AREA (in. ²)	NUMBER OF HOLES	BURST / COLLAPSE PRESSURE (psid min.)	Rob** NUMBER	LOHM* RATE (nom.)
FSCA2502020A	0.002	50	0.006	0.07	2000	7500	0.2	110
FSCA2502030A	0.003	75	0.010	0.07	1350	7500	0.5	100
FSCA2502040A	0.004	100	0.013	0.07	1000	7500	1.0	100
FSCA2502060A	0.006	150	0.013	0.07	450	7500	2.0	75
FSCA2502080A	0.008	200	0.013	0.07	250	7500	5.0	75
FSCA2502100A	0.010	250	0.013	0.07	160	7500	8.0	75
FSCA2502150A	0.015	380	0.017	0.07	100	7500	30	70
FSCA2502200A	0.020	500	0.017	0.07	55	7500	50	70

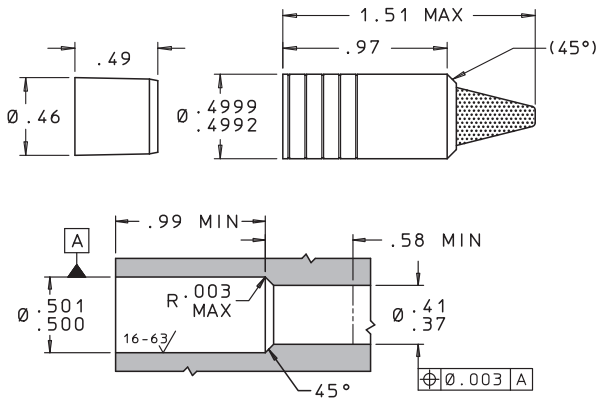
HI-BAR® INSERT RETAINED SAFETY SCREEN

375 HI-BAR INSERT RETAINED SAFETY SCREEN



LEE PART NUMBER	HOLE SIZE (in.)	HOLE SIZE (µm)	OPEN AREA (in. ²)	TOTAL AREA (in. ²)	NUMBER OF HOLES	BURST / COLLAPSE PRESSURE (psid min.)	Rob** NUMBER	LOHM* RATE (nom.)
FSCA3752020A	0.002	50	0.016	0.14	5300	7500	0.5	75
FSCA3752030A	0.003	75	0.025	0.14	3600	7500	1.3	40
FSCA3752040A	0.004	100	0.036	0.14	2900	7500	3.0	40
FSCA3752060A	0.006	150	0.036	0.14	1300	7500	7.0	35
FSCA3752080A	0.008	200	0.036	0.14	700	7500	12	35
FSCA3752100A	0.010	250	0.036	0.14	450	7500	21	35
FSCA3752150A	0.015	380	0.038	0.14	270	7500	85	25
FSCA3752200A	0.020	500	0.038	0.14	100	7500	140	25

500 HI-BAR INSERT RETAINED SAFETY SCREEN



LEE PART NUMBER	HOLE SIZE (in.)	HOLE SIZE (µm)	OPEN AREA (in. ²)	TOTAL AREA (in. ²)	NUMBER OF HOLES	BURST / COLLAPSE PRESSURE (psid min.)	Rob** NUMBER	LOHM* RATE (nom.)
FSCA5002020A	0.002	50	0.03	0.27	9700	7500	0.9	40
FSCA5002030A	0.003	75	0.04	0.27	6600	7500	2.5	30
FSCA5002040A	0.004	100	0.06	0.27	5300	7500	4.0	20
FSCA5002060A	0.006	150	0.06	0.27	2400	7500	12	18
FSCA5002080A	0.008	200	0.06	0.27	1300	7500	23	18
FSCA5002100A	0.010	250	0.06	0.27	850	7500	39	18
FSCA5002150A	0.015	380	0.07	0.27	540	7500	159	15
FSCA5002200A	0.020	500	0.07	0.27	220	7500	269	15

* The Lohm is a measure of flow resistance. Example: One Lohm will permit a flow of 100 GPM of water at 25 psid at 80°F.

** The Rob Number indicates the relative resistance to blockage when comparing one screen to another. The higher the Rob Number, the greater the resistance to blockage.

Additional information can be found at www.theleeco.com or by contacting your local Lee Sales Engineer.