

LEE HPHT PUMPS

The Lee Company is excited to announce an addition to our positive displacement pump product line. Lee HPHT Pumps are a new family of high pressure, high temperature pumps that can generate up to 10,000 psid at 400°F. The innovative axial piston design of Lee HPHT Pumps eliminates the use of elastomers, increases resistance to contamination, and dramatically improves reliability.

Lee HPHT Pumps have been qualified for over 1000 hours of operation and designed to withstand high levels of shock and vibration. They are available in 22 mm and 30 mm diameter envelopes for packaging flexibility and ideally suited for the extreme environments and limited space found down hole.

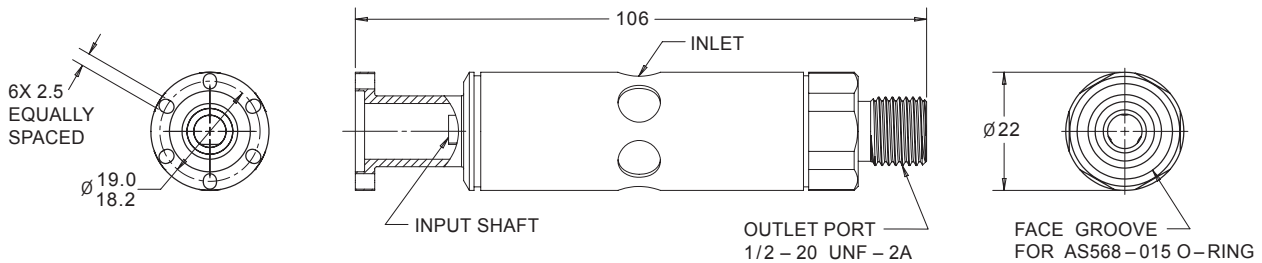
Lee HPHT Pumps can be customized to meet specific application requirements, such as altering the mounting configuration or the inlet and outlet connections. Contact a Lee Sales Engineer to find the right solution for you.

- 400°F temperature rating
- 10,000 psid pressure rating
- No elastomeric seals
- Increased contamination resistance
- Qualified to 1000 hours
- 100% tested and inspected
- Accessories including couplings, flanges, and adaptor plates are available
- Wetted materials: 300 series stainless, 400 series stainless, alloy steel, 17-4, 17-7, A2, and aluminum bronze

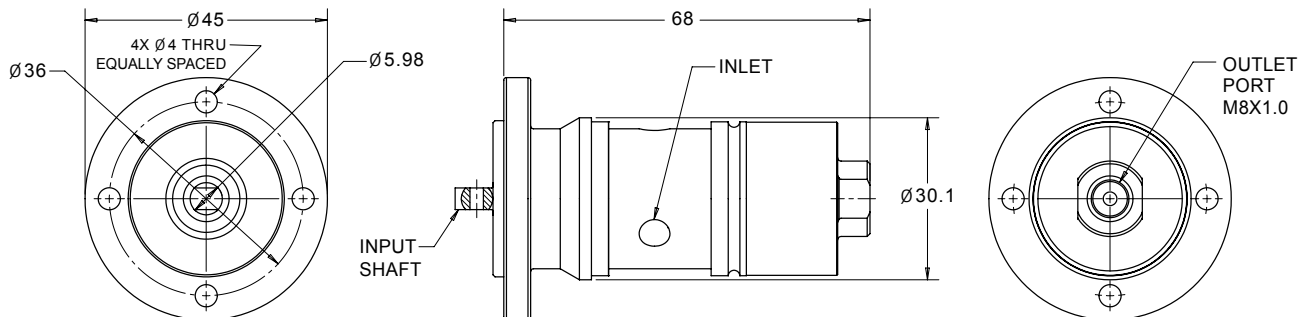


PERFORMANCE DATA	
Fluid:	Univis HVI-13 and HVI-26
Maximum Operating Pressure:	10,000 psid (690 bar)
Maximum Temperature:	400°F (200°C)
Speed Range:	100-6500 RPM
Displacement:	45 mm ³ / Revolution
Direction of Rotation:	Clockwise (From The Shaft End)

LEE PART NUMBER GPSA0223003E



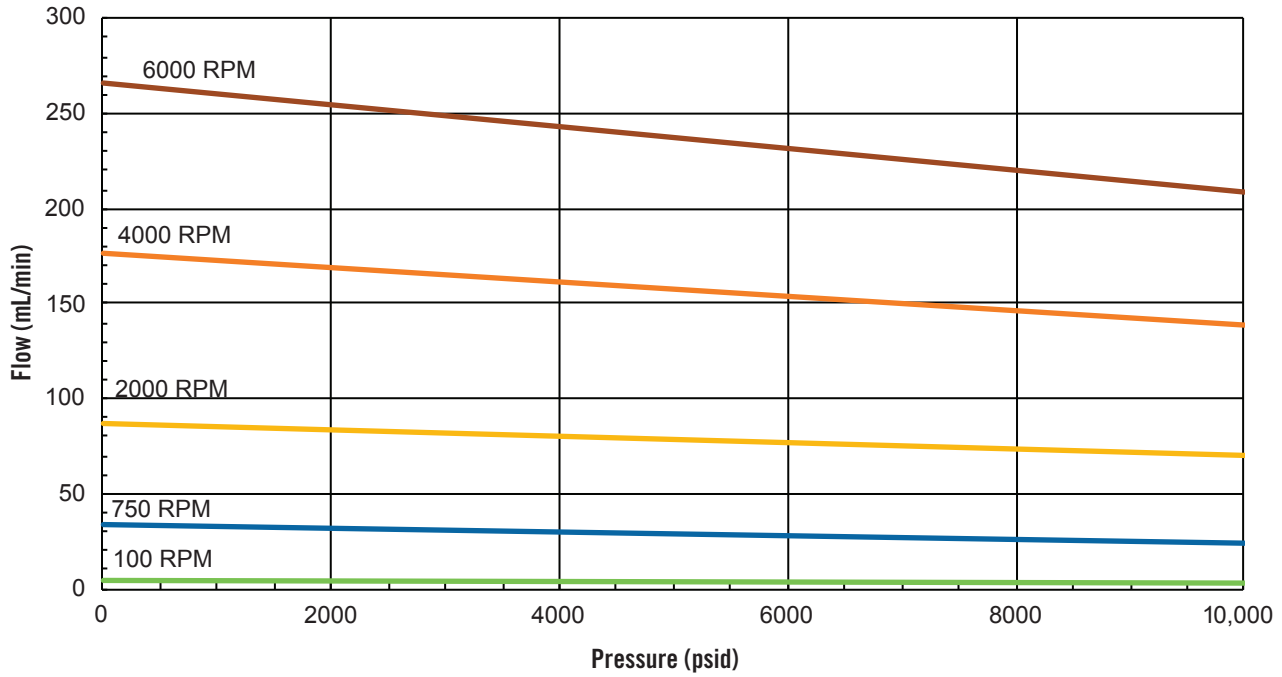
LEE PART NUMBER GPSA2002003E



All dimensions are in millimeters.

LEE HPHT PUMPS

INPUT RPM (TYPICAL PERFORMANCE USING UNIVIS HVI FLUID AT 70°F)



INPUT TORQUE (TYPICAL PERFORMANCE AT 70°F)

